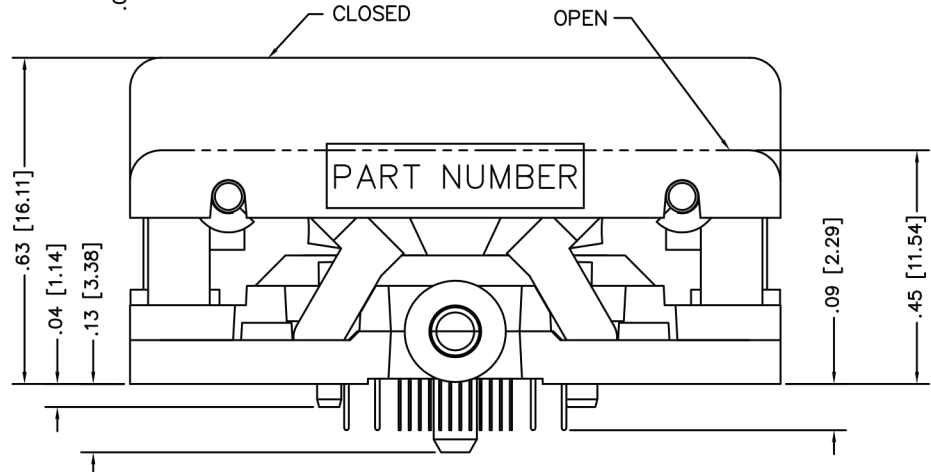
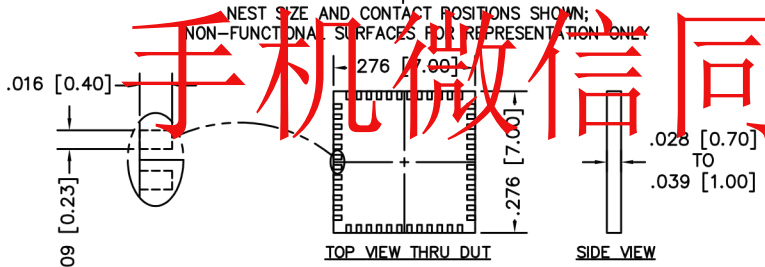
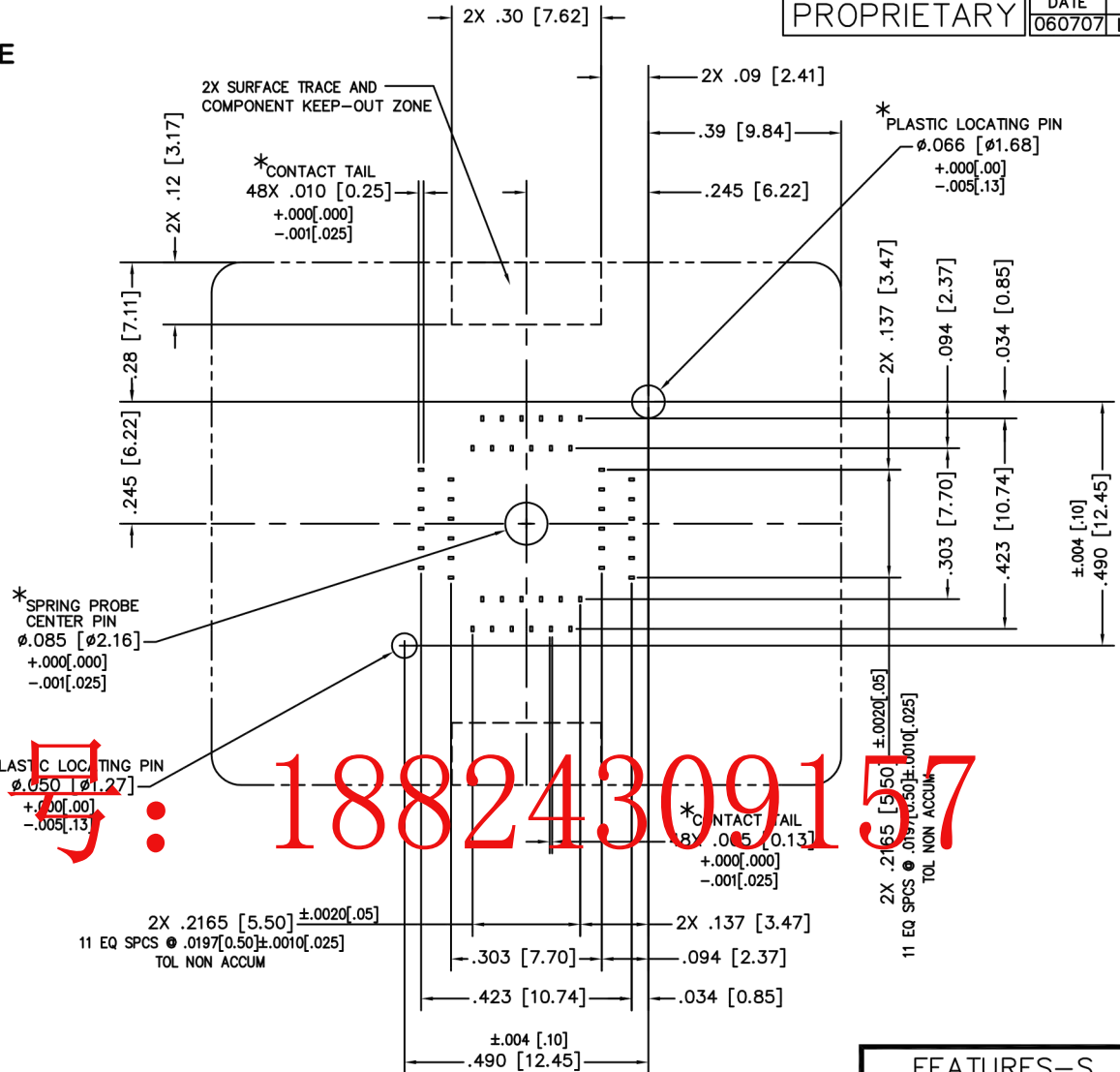
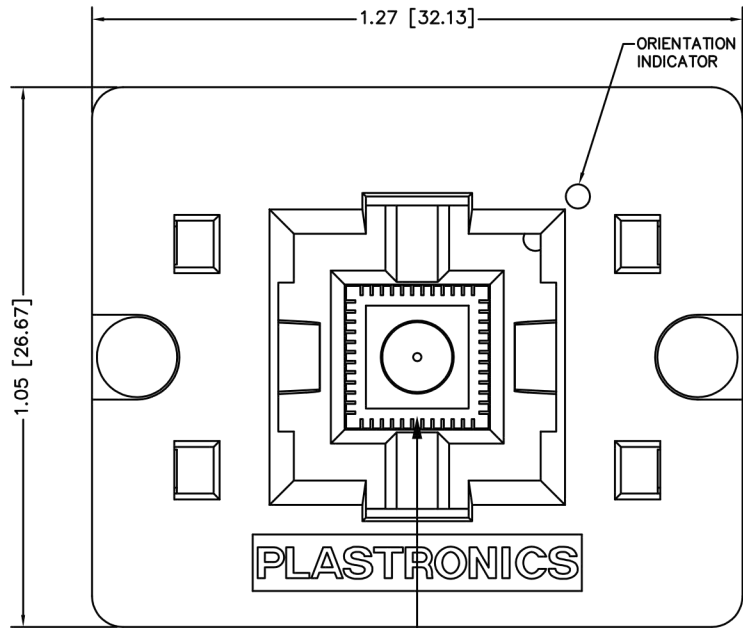


**NOTE : \* DIMENSION OF SOCKET FEATURES SHOWN.  
BOARD DESIGNER SHOULD SELECT APPROPRIATE HOLE  
SIZES TO PROVIDE A SLIP FIT FOR THESE FEATURES.**



FOOTPRINT AS VIEWED FROM TOP OF SOCKET

THIS DRAWING IS SUBJECT TO CHANGE WITHOUT NOTICE. PLEASE REQUEST A CURRENT DRAWING WHEN LAYING OUT BOARDS.

FEATURES-S  
= OFFSET CONTACT  
= SPRING PROBE CENTER PIN

SOCKET PART NUMBER  
48LQ50S17070

UNLESS OTHERWISE SPECIFIED .XXX = ±.003 SURFACE FINISH .XX = ±.010 .X = ±.020 ANGLE = ±1 ALL DIM ARE IN INCHES ALL DIM (XX) ARE MILLIMETERS REMOVE ALL BURRS AND SHARP EDGES DIM LIMITS APPLY BEFORE PROCESSES HOLE TOLERANCES .0156 THRU .125 = +.004 -.001 .128 THRU .250 = +.005 -.001 .251 THRU .500 = +.006 -.001 .501 THRU .750 = +.008 -.001 .751 THRU 1.00 = +.010 -.001 1.001 THRU 2.00 = +.012 -.001	MATERIAL	PROCESSES	SIZE C	COD NO.	DWG NO.	REV	SH
				48LQ50S17070			
		SCALE NONE DATE	TITLE				
		DWN LKI 060707	OPENTOP DUAL LATCH QFN SOCKET; 7 X 7mm, 0.50mm-PITCH; 48 CONTACTS PLUS SPRING PROBE CENTER PIN; THRU-HOLE				
		CHK	PLASTRONICS 2601 TEXAS DRIVE IRVING, TX. 75062				
		ENGR					
		APPVD					

手机微信同号: 18824309157