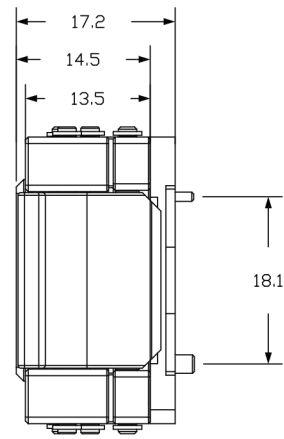
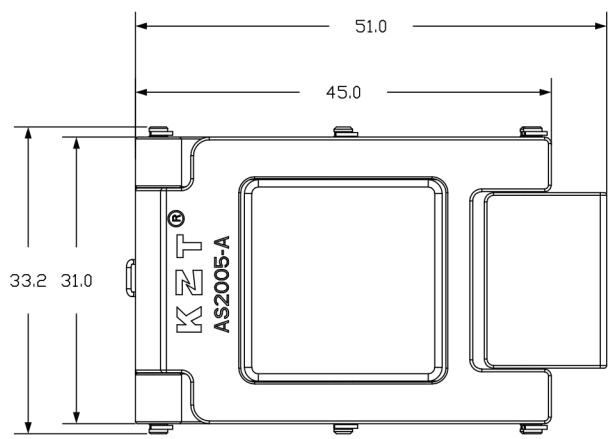
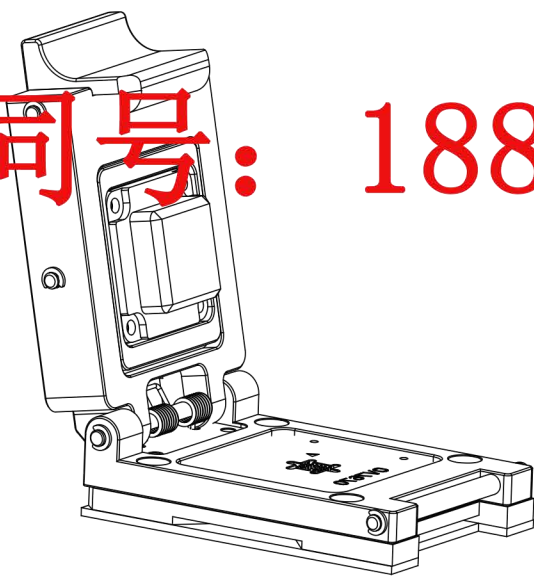
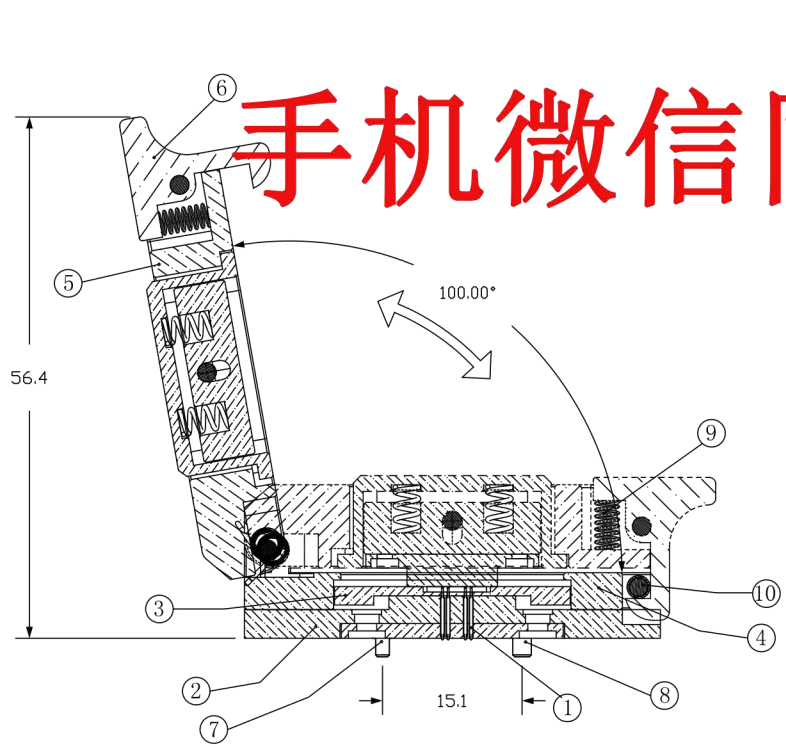
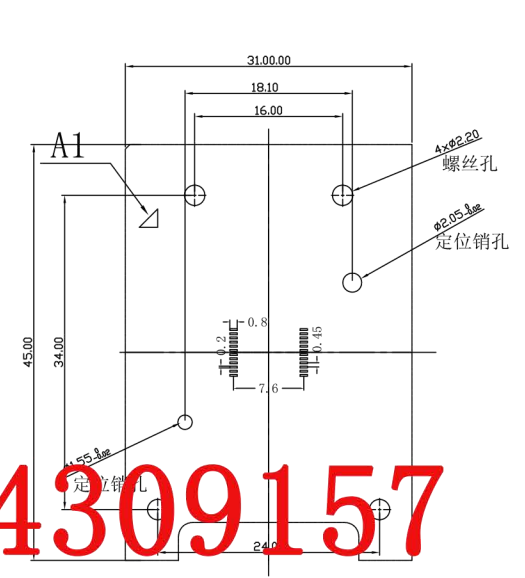


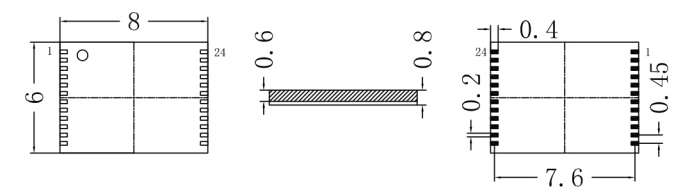
REVISION	DESCRIPTION	CHECK	APP	DATE	REV. NOTICE NO
△1					
△2					
△3					



PCB PATTERN (TOP VIEW)



APPLICABLE IC2:1



TOP VIEW SIDE VIEW BOTTOM VIEW

10	10-B-4525	SHAFT	SUS	3	
9	A0001-03	Spring	SUS	1	
8	101209-03	IC		1	
7	10-B-4524	Dowel pin	SUS	2	
6	A0001-03	Operating fastener	AL6061	1	
5	A0001-02	OUTER LID	AL6061	1	
4	A0001-01	BASE	AL6061	1	
3	101209-02	TOP PLATE	PAI	1	
2	101209-01	BOTTOM PLATE	PAI	1	
1	05-A-2011	POGO PIN	BeCu	24	
No	Part Number	Name	Material	Q/ty	Note

PROJECTION	GENERAL TOLERANCES	±0.10	TITLE	QFN24-0.45CLAMSHELL SOCKET
	REV	A	CLASS	CLAMSHELL SOCKET
DIMENSION:	mm	SCALE:	1:1	DRW. NO
APP:		DATE:		QFN24-0.45合金翻盖探针测试座
CHECK:	0922932	DATE:		
DEGK:	LWH	DATE:	20210223	

手机微信同号: 18824309157

注: 本图档只属产品示意图, 交货时请以实物为准。凯智通拥有最终解释权!