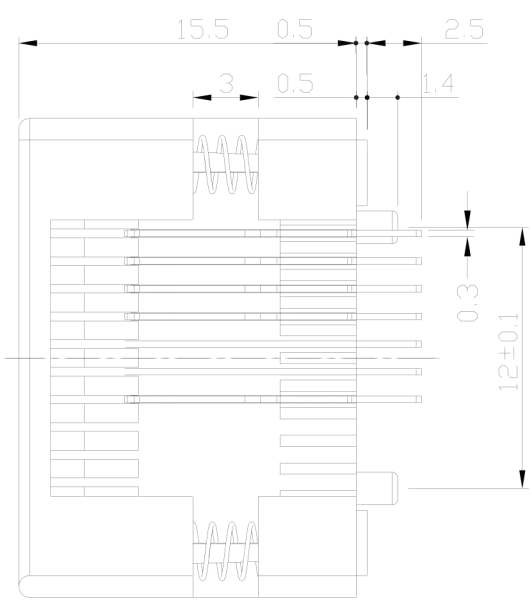
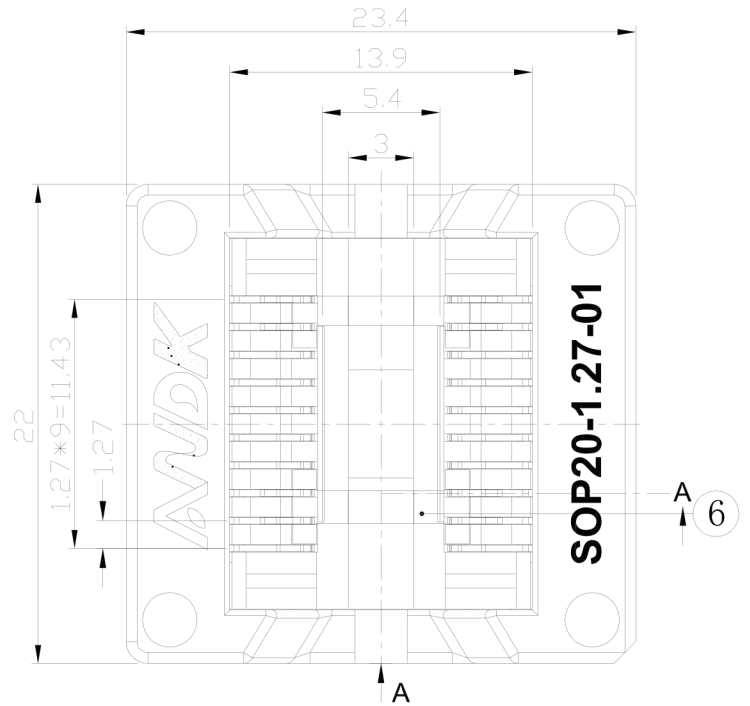
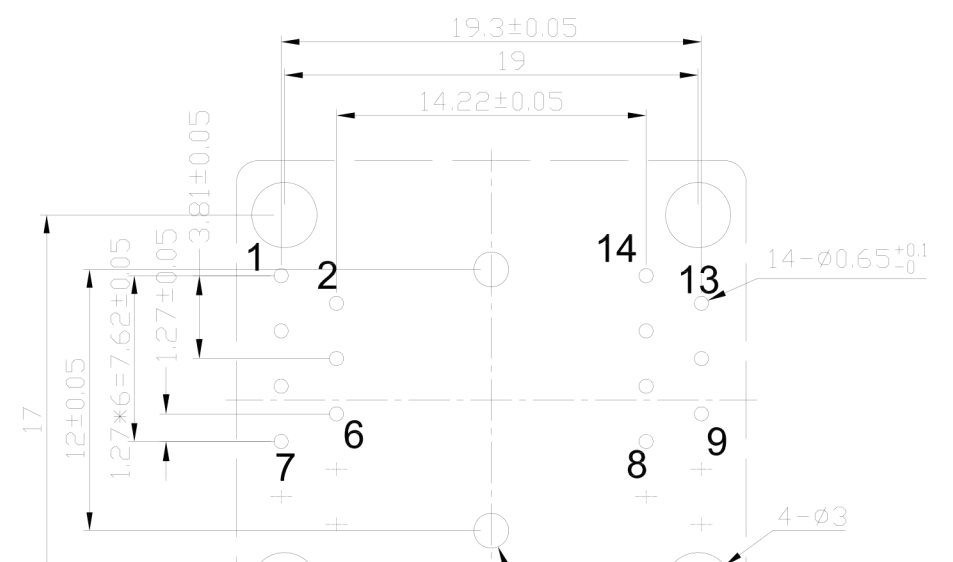


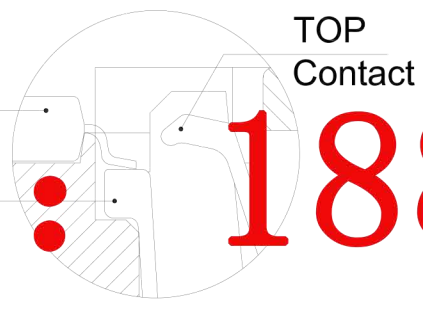
REVISION	DESCRIPTION	CHECK	APP	DATE	REV. NOTICE. NO
1					
2					
3					



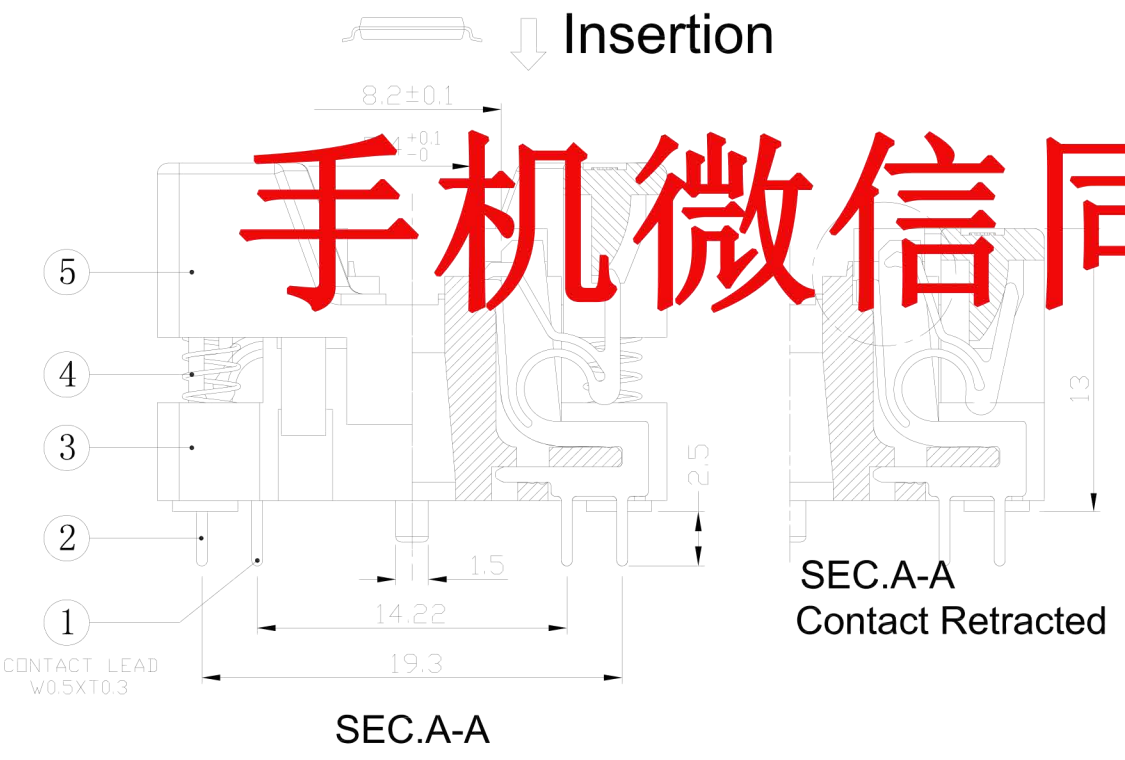
PCB PATTERN (TOP VIEW)



手机微信同号: 18824309157



CONTACT TIP DETAIL

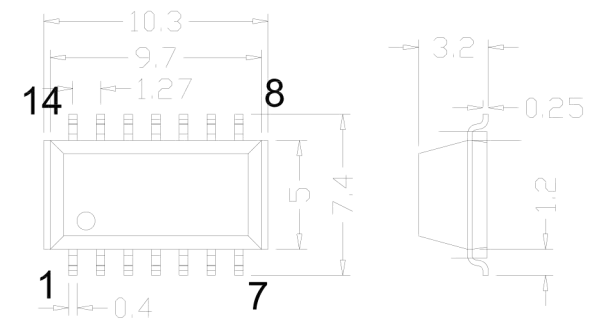


SEC.A-A Contact Retracted

PERFORMANCE

1. Insulation Resistance: 1000mΩ Min.At DC 500V
2. Dielectric Withstanding Voltage For 1 Minute At AC 700V
3. Contact Resistance 30mΩ MAX. at 10mA and 20mV MAX.(Initial)
4. Current Rating: 1A max.
5. Operation Temperature -55°C ~+125°C
6. Life Span 15,000 Times (Mechanical)
7. Operation Force 1.0 Kg MAX

APPLICABLE IC



No	Part Number	Name	Material	Q/ty	Note	TOLERANCE	PROJECTION	GENERAL TOLERANCES	TITLE
6	SOP-20-U01-003	ADAPTER	PEI/PES	1	BLACK	X. ± 0.50		±0.10 R E V A SCALE: 1:1 DATE: 20170318	SOP20-1.27 SOCKET
5	SOP-20-U01-002	COVER	PEI/PES	1	BLACK	X. X ± 0.25			CLASS SOP14(20)-1.27-TP03NT
4	30-B-4515X	SPRING	SUS	4	FDR COVER	X. XX ± 0.10			DRW. NO SOP-14/16/20-1.27-M03
3	SOP-20-U01-001	BASE	PEI/PES	1	BLACK	X. XXX ± 0.05			DATE:
2	SOP-20-MSBR-02	CONTACT	BeCu	7	Au PLATING	CHECK:			DATE:
1	SOP-20-MSBR-01	CONTACT	BeCu	7	Au PLATING	DEGK: ENG02			DATE: 20170318
No	Part Number	Name	Material	Q/ty	Note				

