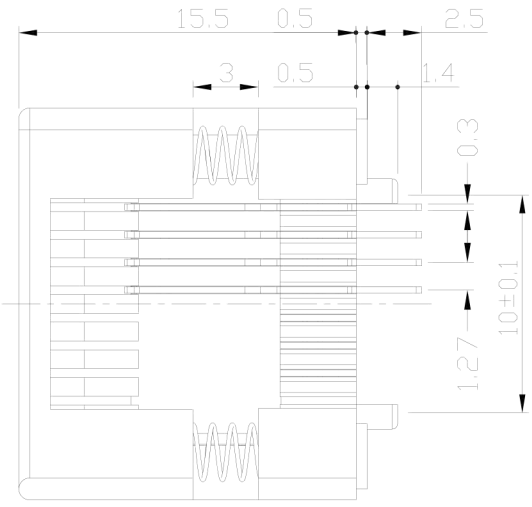
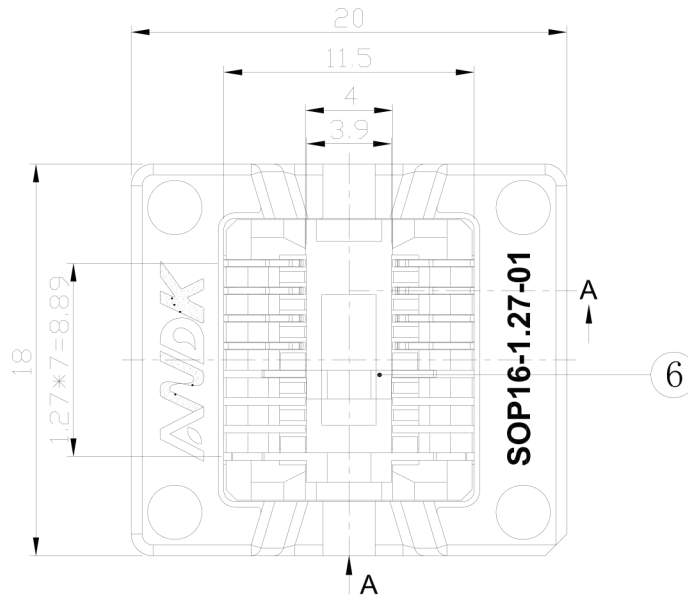
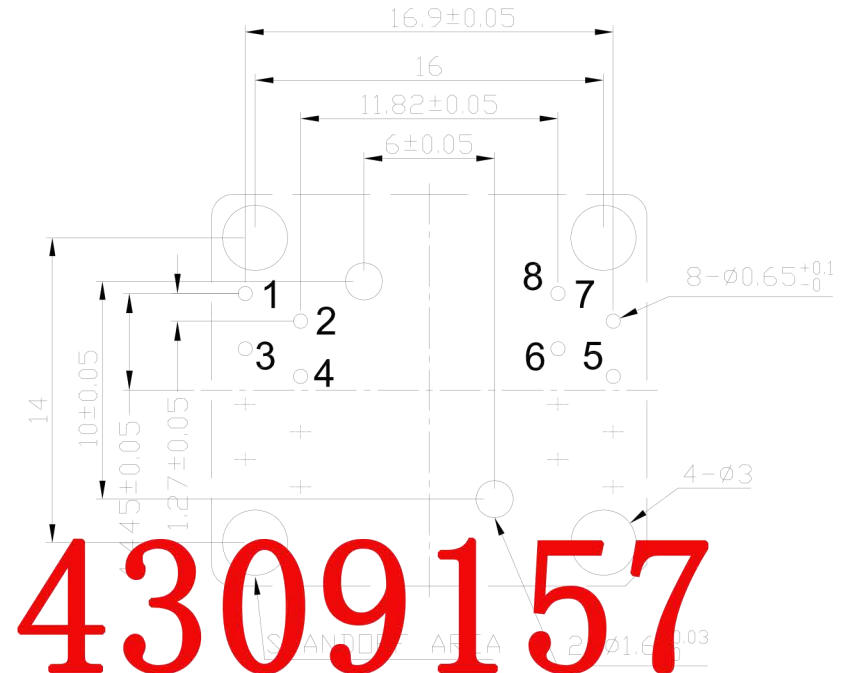


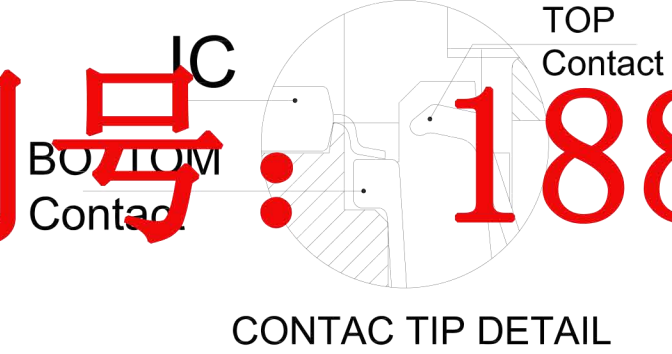
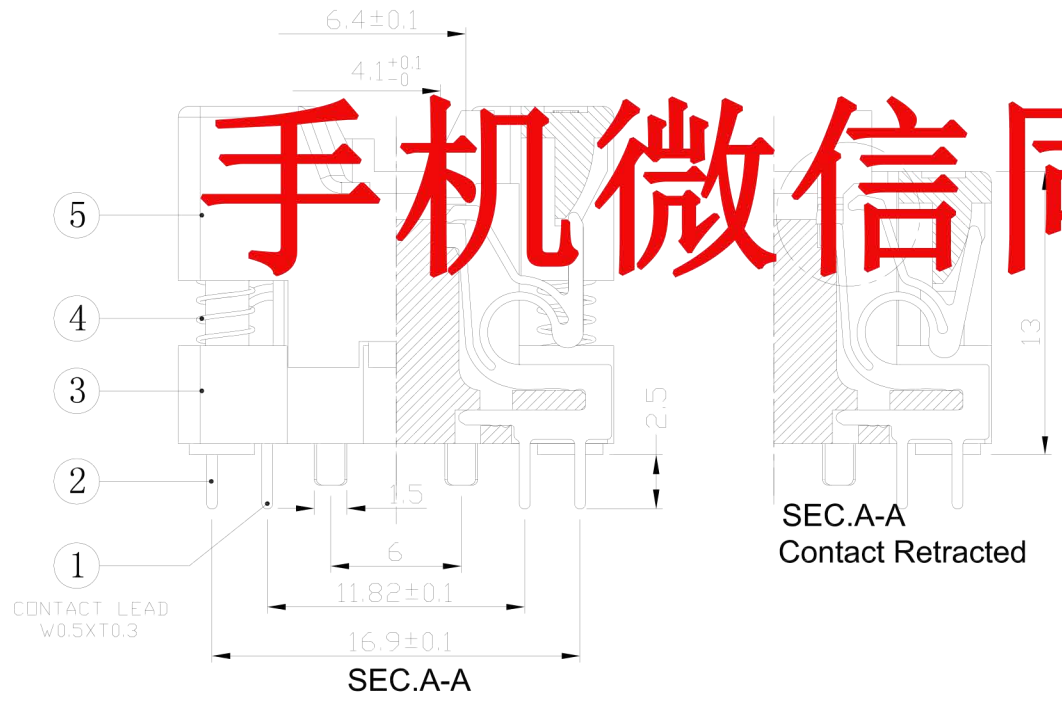
REVISION	DESCRIPTION	CHECK	APP	DATE	REV. NOTICE. NO
1					
2					
3					



PCB PATTERN (TOP VIEW)

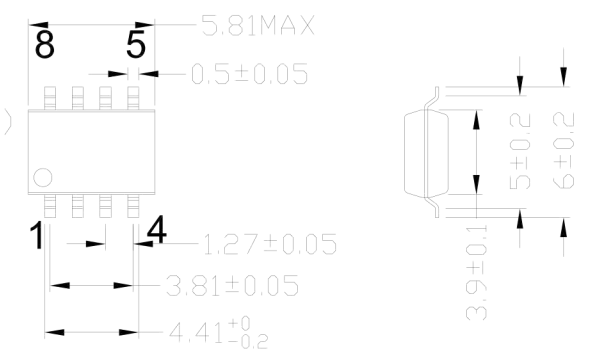


Insertion



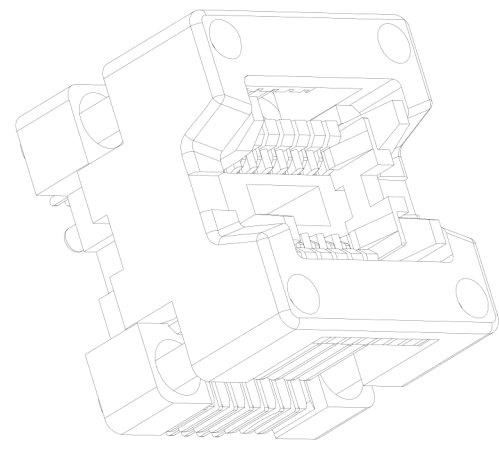
手机微信同号: 18824309157

APPLICABLE IC



PERFORMANCE

- 1、Insulation Resistance: 1000mΩ Min.At DC 500V
- 2、Dielectric Withstanding Voltage For 1 Minute At AC 700V
- 3、Contact Resistance 30mΩ MAX. at 10mA and 20mV MAX.(Initial)
- 4、Current Rating: 1A max.
- 5、Operation Temperature -55°C ~+125°C
- 6、Life Span 15,000 Times (Mechanical)
- 7、Operation Force 1.0 Kg MAX



No	Part Number	Name	Material	Q/ty	Note	TOLERANCE	PROJECTION	GENERAL TOLERANCES	TITLE	
6	SDP-16-U01-003	ADAPTER	PEI/PES	1	BLACK	X. ± 0.50 X.X ± 0.25 X.XX ± 0.10 X.XXX ± 0.05	DIMENSION: mm	±0.10	SOP16-1.27 SOCKET	
5	SDP-16-U01-002	COVER	PEI/PES	1	BLACK			R E V A	CLASS	SOP8(16)-1.27-TP02NT
4	30-B-4515X	SPRING	SUS	4	FDR COVER			SCALE: 1:1	DRW. NO	OTS-8(16)-1.27-03
3	SDP-16-U01-001	BASE	PEI/PES	1	BLACK			APP:	DATE:	
2	SDP-16-MSBR-02	CONTACT	BeCu	4	Au PLATING			CHECK:	DATE:	
1	SDP-16-MSBR-01	CONTACT	BeCu	4	Au PLATING			DEGK: ENG02	DATE: 20170318	
No	Part Number	Name	Material	Q/ty	Note					