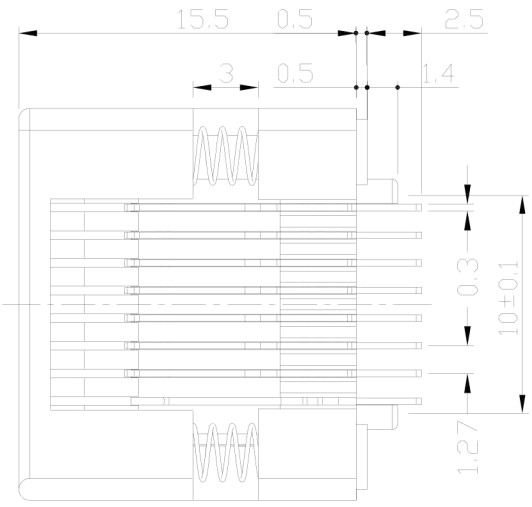
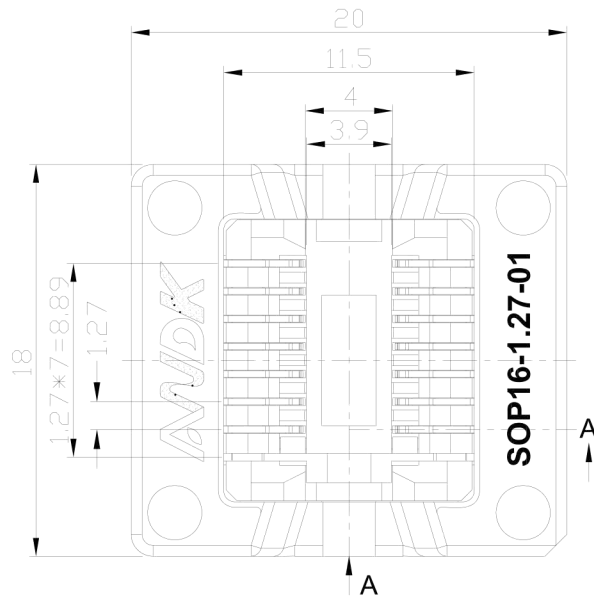
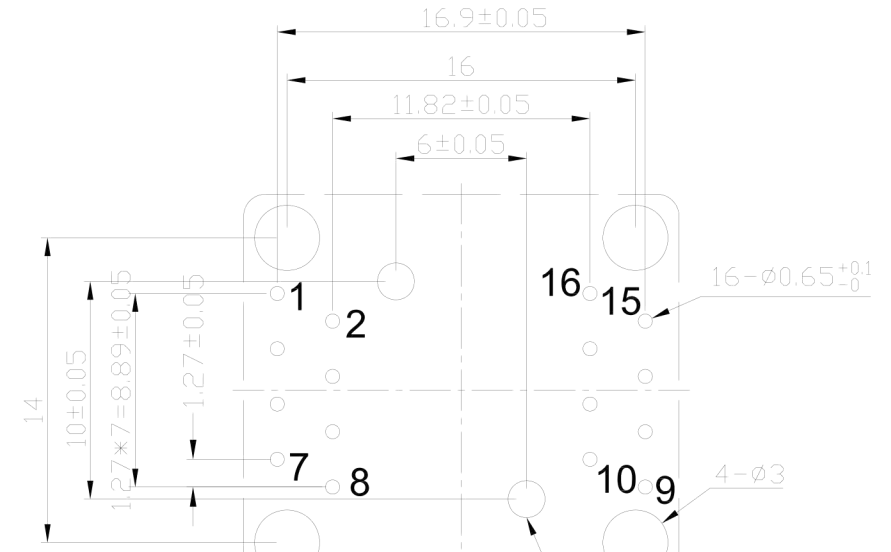


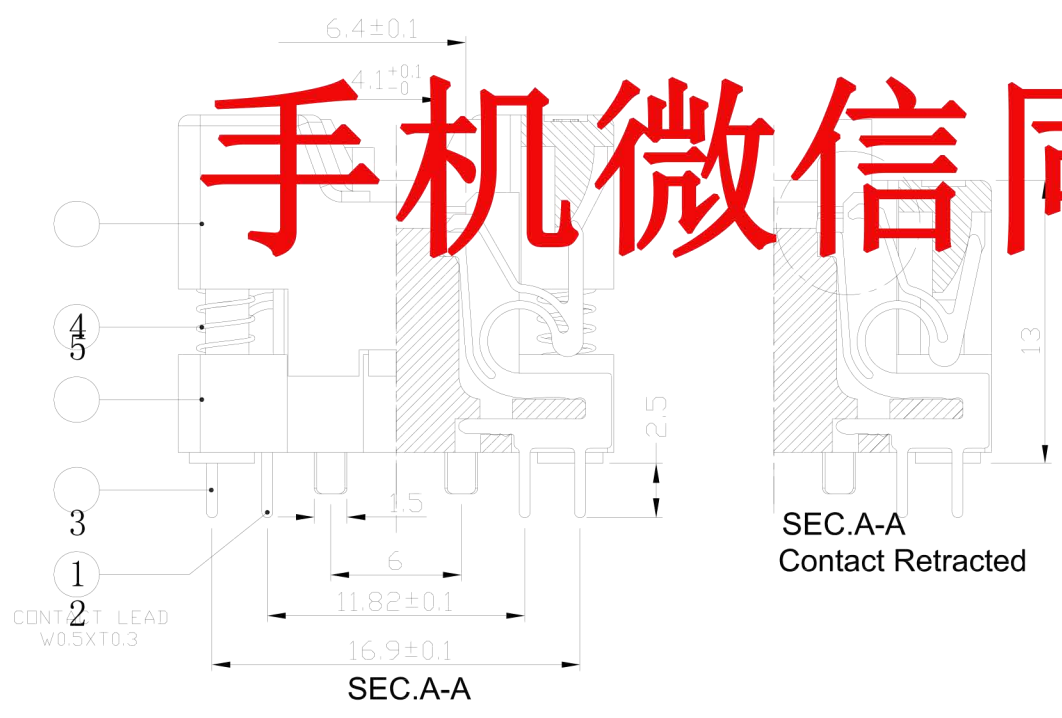
REVISION	DESCRIPTION	CHECK	APP	DATE	REV. NOTICE. NO
1					
2					
3					



PCB PATTERN (TOP VIEW)



Insertion

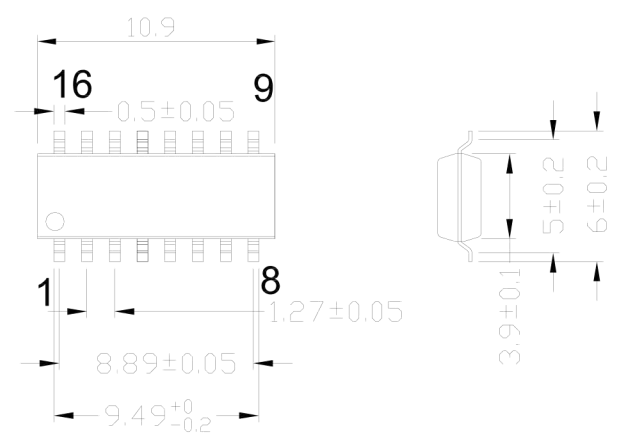


手机微信同号: 18824309157

PERFORMANCE

- 1、Insulation Resistance: 1000mΩ Min.At DC 500V
- 2、Dielectric Withstanding Voltage For 1 Minute At AC 700V
- 3、Contact Resistance 30mΩ MAX. at 10mA and 20mV MAX.(Initial)
- 4、Current Rating: 1A max.
- 5、Operation Temperature -55°C ~+125°C
- 6、Life Span 15,000 Times (Mechanical)
- 7、Operation Force 1.0 Kg MAX

APPLICABLE IC



No	Part Number	Name	Material	Q/ty	Note	TOLERANCE	PROJECTION	GENERAL TOLERANCES	REV	TITLE
5	SOP-16-U01-002	COVER	PEI/PES	1	BLACK	X. ± 0.50		±0.10 A SCALE: 1:1 DATE: 20170318	DATE: DATE: DATE: 20170318	TITLE
4	30-B-4515X	SPRING	SUS	4	FOR COVER	X. X ± 0.25				CLASS
3	SOP-16-U01-001	BASE	PEI/PES	1	BLACK	X. XX ± 0.10				DRW. NO
2	SOP-16-MSBR-02	CONTACT	BeCu	8	Au PLATING	X. XXX ± 0.05				OTS-16-1.27-03-00
1	SOP-16-MSBR-01	CONTACT	BeCu	8	Au PLATING					

