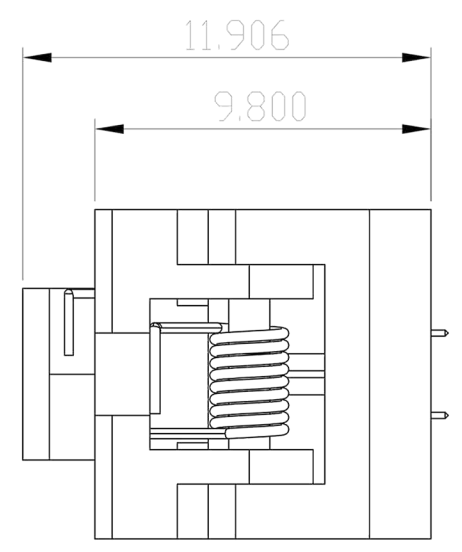
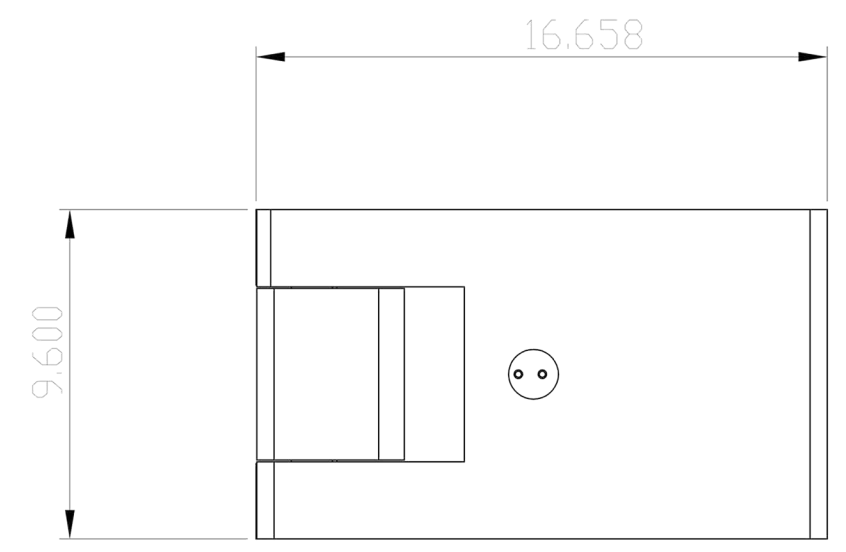
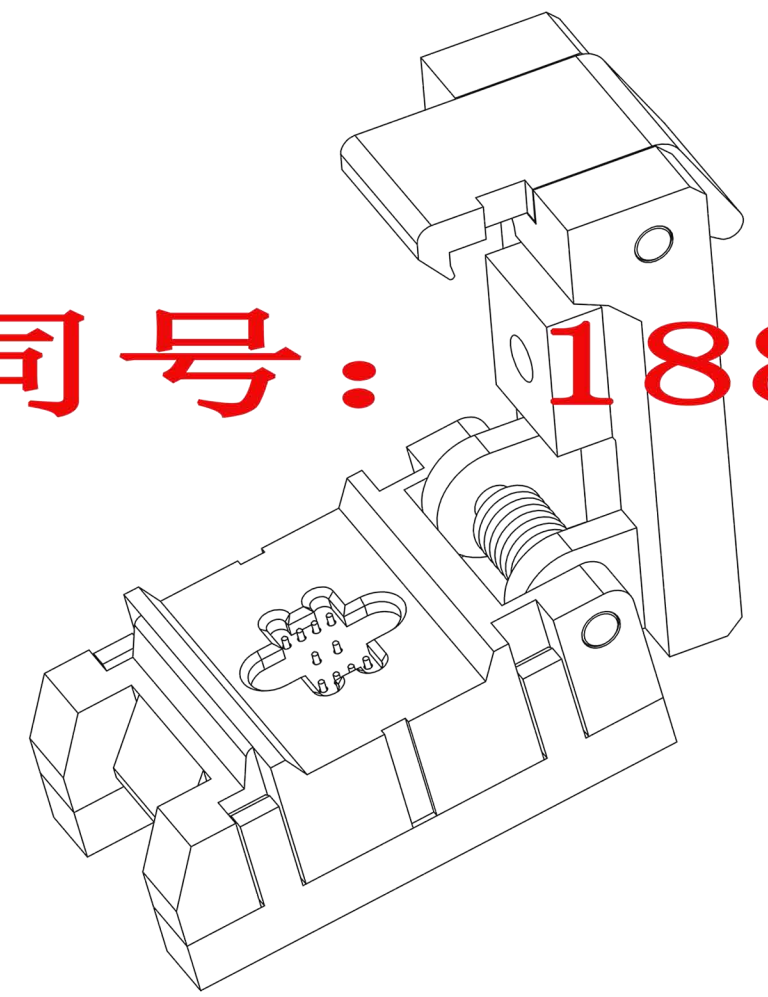
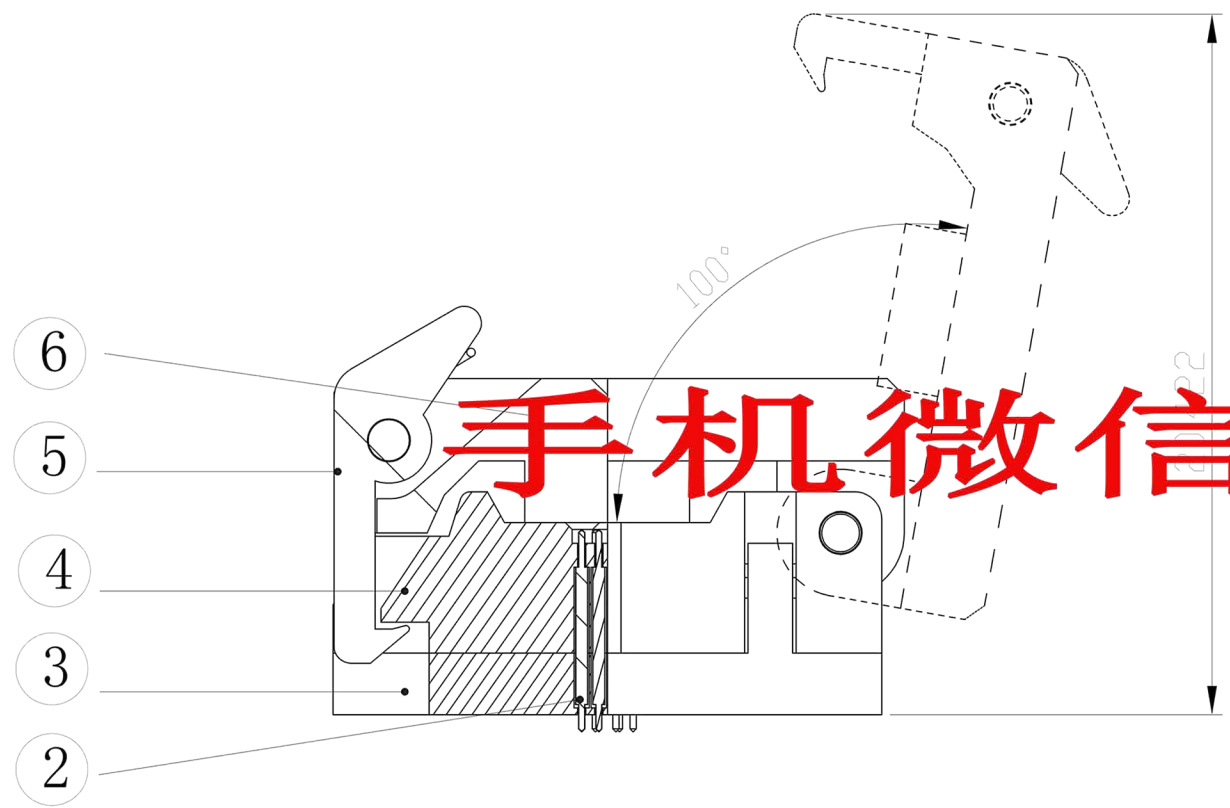
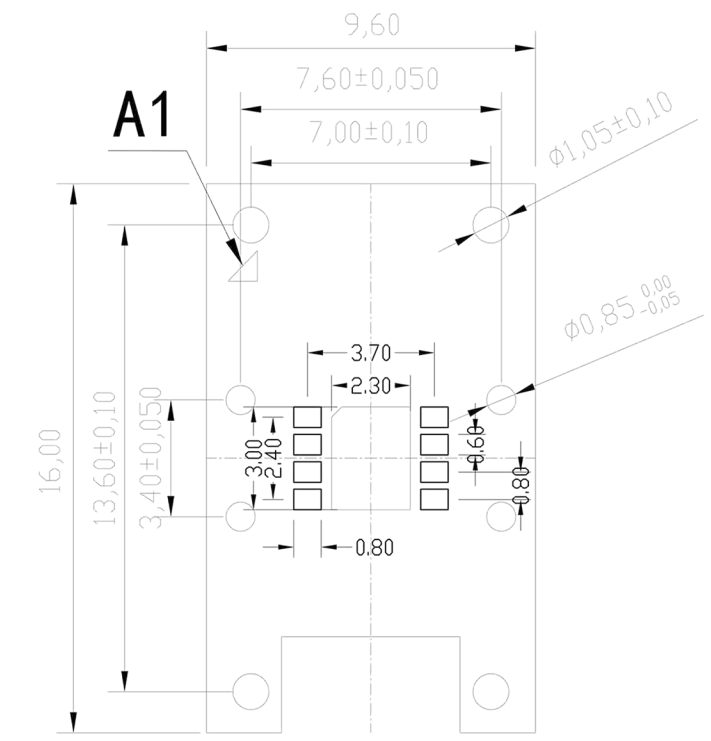


REVISION	DESCRIPTION	CHECK	APP	DATE	REV. NOTICE. NO
△1					
△2					
△3					

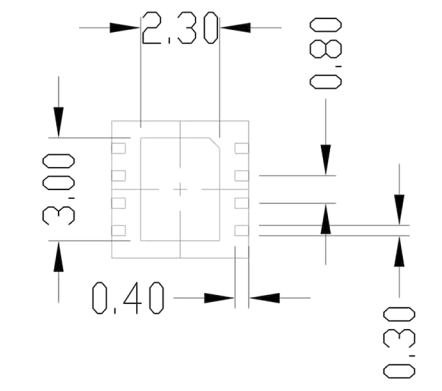
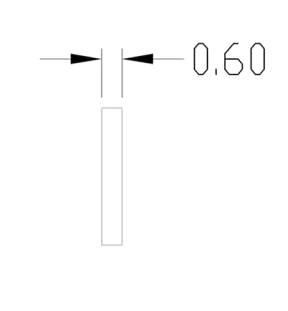
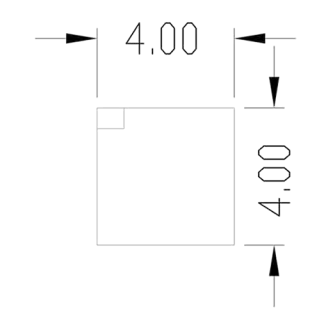


PCB Pattern(TOP View)



手机微信同号: 18824309157

Applicable IC



TOP VIEW

SIDE VIEW

BOTTOM VIEW

6	JZ01-04	COVER	PEI	1	BLACK
5	JZ01-03	LATCH	PEI	1	BLACK
4	JZ01-02	BASE	PEI	1	BLACK
3	JZ01-01	CORE	PEI	1	BLACK
2	JZ01-TZ	POGO PIN	BeCu	8	Au PLATING
No	Part Number	Name	Material	Q/ty	Note

PROJECTION	
DIMENSION:	mm
APP:	
CHECK:	
DEGK:	ENG03-ZX

GENERAL TOLERANCES	±0.10
SCALE:	1:1
DATE:	
DATE:	
DATE:	2018

TITLE	CXPQFN8-0.5 SOCKET
CLASS	CXPQFN8-0.5-CP05NT
DRW. NO	QFN8-0.5-2X2