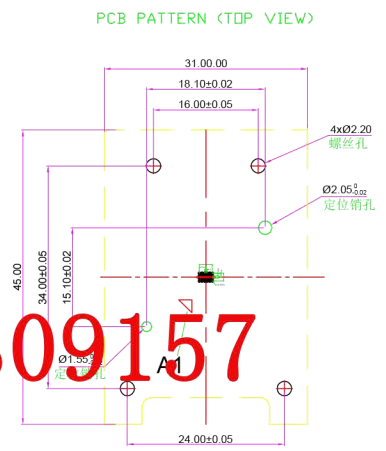
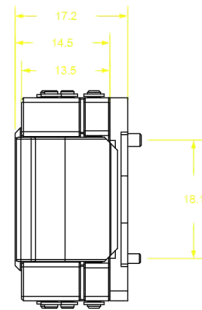
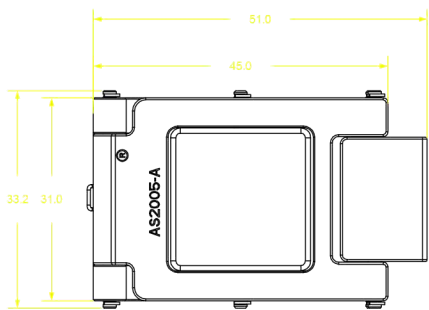
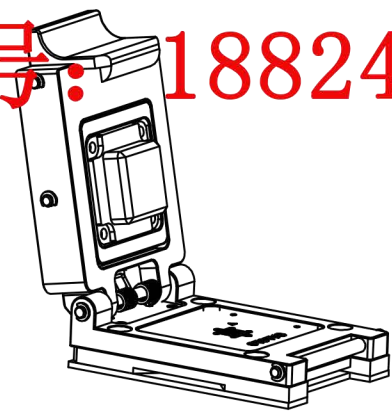
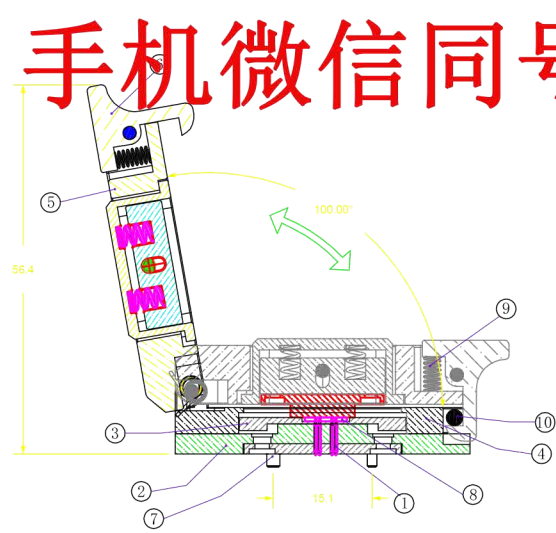


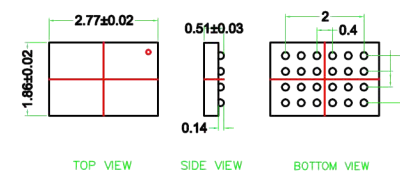
REVISION	DESCRIPTION	CHECK APP	DATE	REV.NO
△1				
△2				
△3				



手机微信同号: 18824309157



APPLICABLE IC (6:1)



No	Part Number	Name	Material	Q/ty	Note
10	10-B-4525	SHAFT	SUS	3	
9	A0001-03	Spring	SUS	1	
8	101209-03	IC		1	
7	10-B-4524	Dowel pin	SUS	2	
6	A0001-03	Operating Fastener	AL6061	1	
5	A0001-02	OUTER LID	AL6061	1	
4	A0001-01	BASE	AL6061	1	
3	101209-02	TOP PLATE	PAI	1	
2	101209-01	BOTTOM PLATE	PAI	1	
1	05-A-2011	PDGD PIN	BeCu	24	

PROJECTION		GENERAL TOLERANCES	±0.10	TITLE	WLCSP24-0.4台
DIMENSION:	mm	SCALE:	1:1	CLASS	CLAMSHELL
APP:		DATE:			
	0923535	DATE:			
DEG:	HLR	DATE:	20210603		

注：本图档只属产品示意图，交货时请以实物为准。