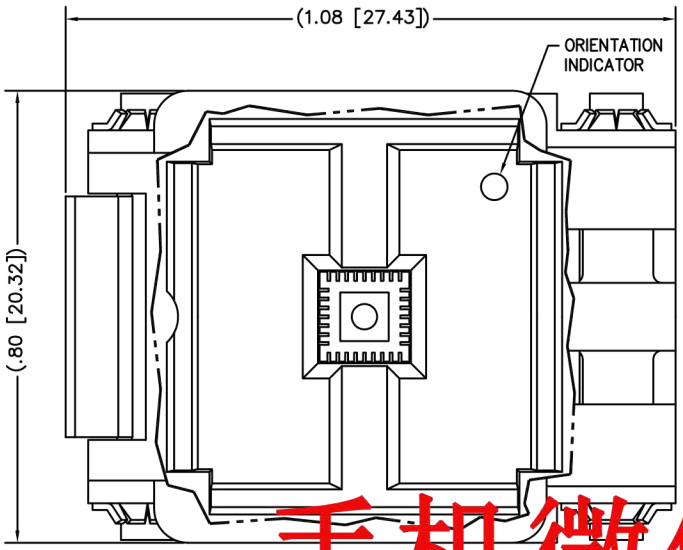


NOTE : * DIMENSIONS OF SOCKET FEATURES SHOWN.
 BOARD DESIGNER SHOULD SELECT APPROPRIATE HOLE
 SIZES TO PROVIDE A SLIP FIT FOR THESE FEATURES.

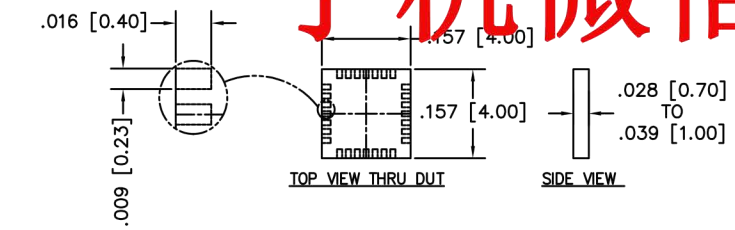


* METAL CENTER PIN
 $\phi .036$ [$\phi 0.91$]
 $+ .000$ [$+ .000$]
 $- .001$ [$- .025$]

* CONTACT TAIL
 $.010$ [0.25]
 $+ .000$ [$+ .000$]
 $- .001$ [$- .025$]

* PLASTIC LOCATING PIN
 $\phi .066$ [$\phi 1.68$]
 $+ .000$ [$+ .00$]
 $- .005$ [$- .13$]

手机微信同号: 18824309157

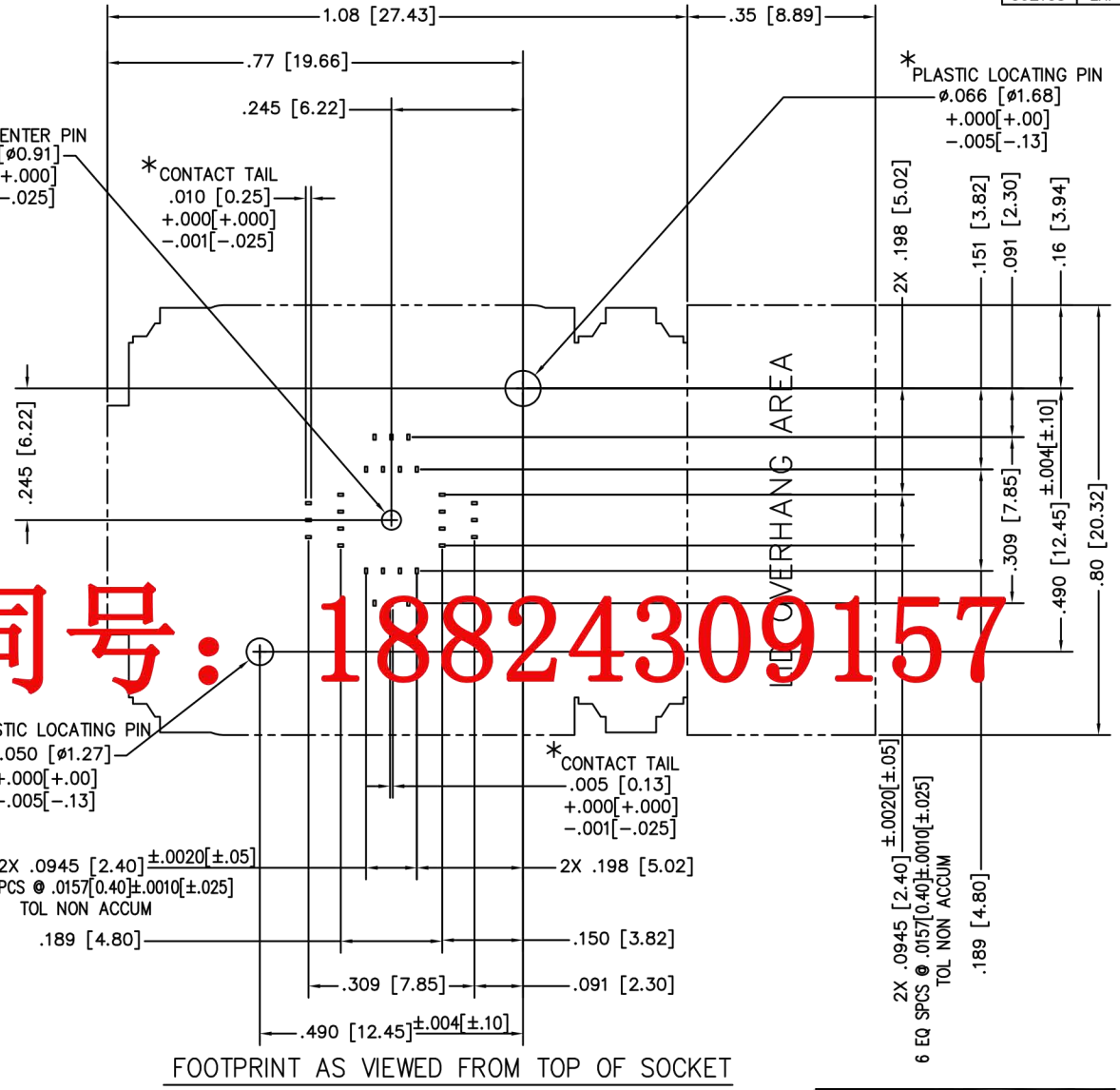
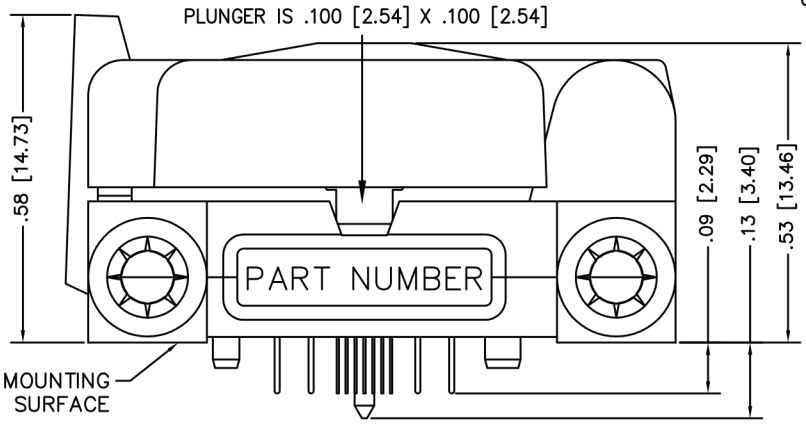


* PLASTIC LOCATING PIN
 $\phi .050$ [$\phi 1.27$]
 $+ .000$ [$+ .00$]
 $- .005$ [$- .13$]

* CONTACT TAIL
 $.005$ [0.13]
 $+ .000$ [$+ .000$]
 $- .001$ [$- .025$]

2X .0945 [2.40] $\pm .0020$ [$\pm .05$]
 6 EQ SPCS $\phi .0157$ [0.40] $\pm .0010$ [$\pm .025$]
 TOL NON ACCUM

2X .0945 [2.40] $\pm .0020$ [$\pm .05$]
 6 EQ SPCS $\phi .0157$ [0.40] $\pm .0010$ [$\pm .025$]
 TOL NON ACCUM



FOOTPRINT AS VIEWED FROM TOP OF SOCKET

PROPRIETARY

DEPOPULATED FROM :
 32QN40K14040

PART NUMBER
 28QN40K14040

UNLESS OTHERWISE SPECIFIED
 .XXX = $\pm .003$ SURFACE FINISH
 .XX = $\pm .010$
 X = $\pm .020$
 ANGLE = ± 1
 ALL DIM ARE IN INCHES
 ALL DIM (XX) ARE MILLIMETERS
 REMOVE ALL BURRS AND SHARP EDGES
 HOLE TOLERANCES
 .0135 THRU .125 = $+ .004$ - $.001$
 .128 THRU .250 = $+ .005$ - $.001$
 .251 THRU .500 = $+ .008$ - $.001$
 .501 THRU .750 = $+ .008$ - $.001$
 .751 THRU 1.00 = $+ .010$ - $.001$
 1.001 THRU 2.00 = $+ .012$ - $.001$

SCALE	NONE	DATE	
DWN	LKI	062105	
CHK			
ENGR			
APPVD			

SIZE	C	DWG NO.	SH
		28QN40K14040	1/1
TITLE			
QFN SOCKET; 4 x 4mm, 0.40mm-PITCH; 28 CONTACTS PLUS CENTER PIN; THRU-HOLE			
2601 TEXAS DRIVE IRVING, TX. 75062			

THIS DRAWING IS SUBJECT TO CHANGE WITHOUT NOTICE. PLEASE REQUEST A CURRENT DRAWING WHEN LAYING OUT BOARDS.

FEATURES-K
 = OFFSET CONTACT