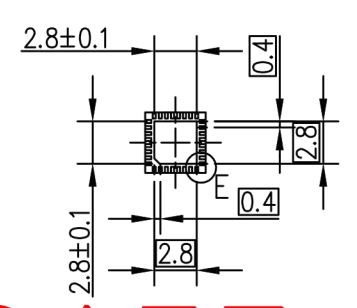
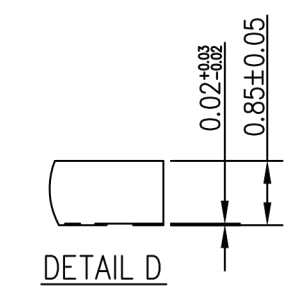
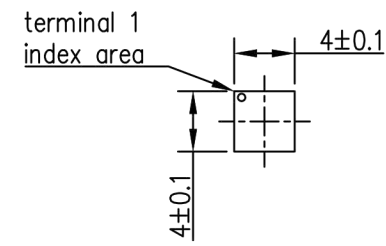
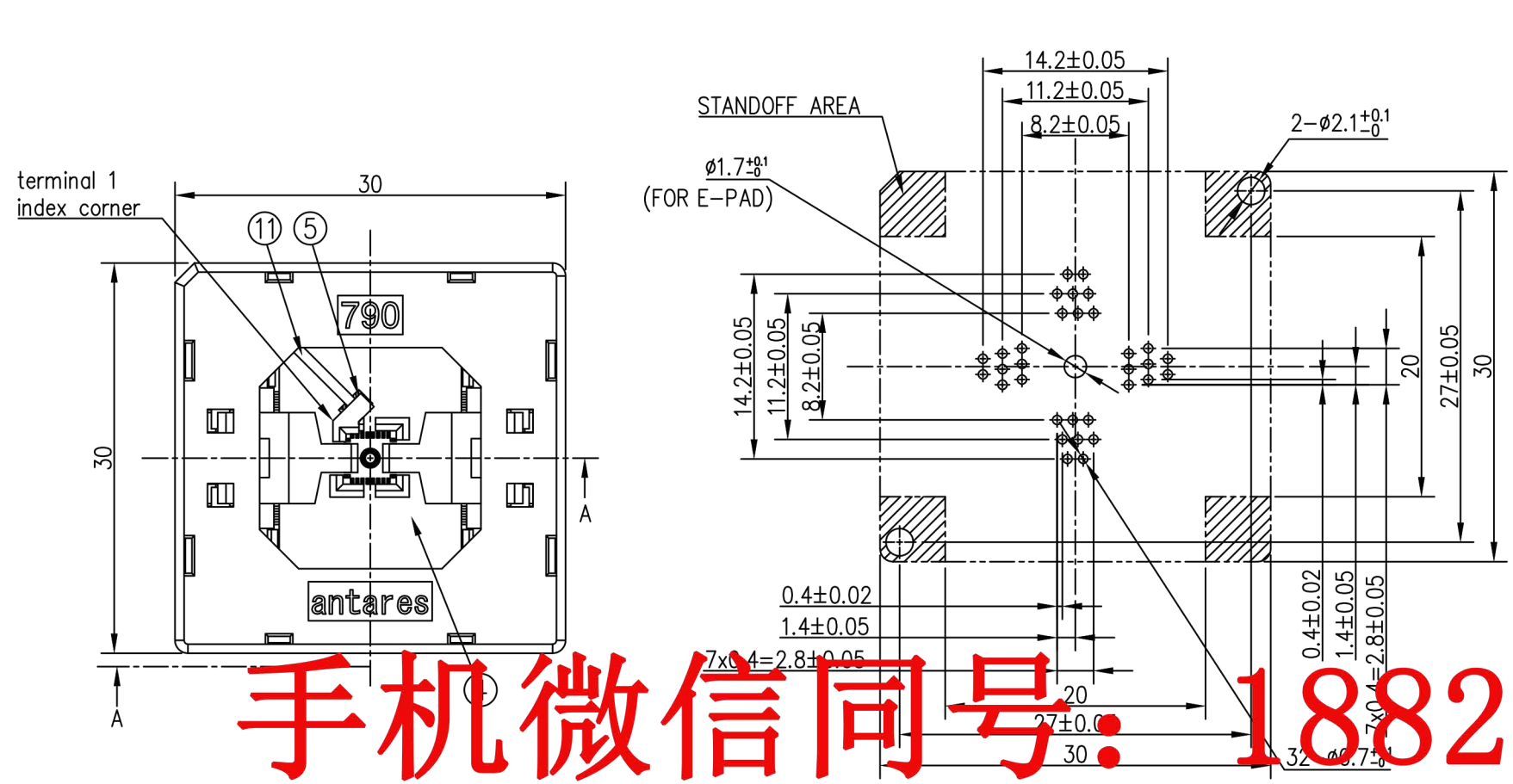


REV	DATE	ECO NO	BY
0	Aug 13 2008	ERN08352	KM

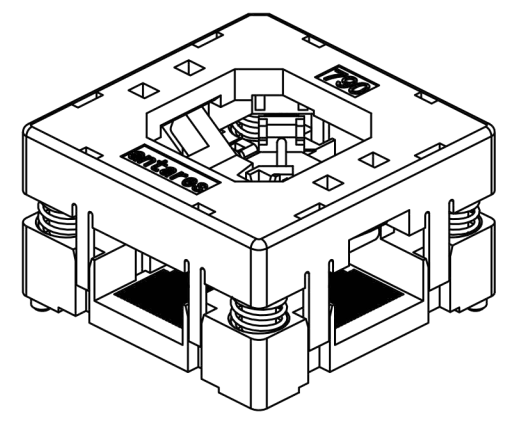
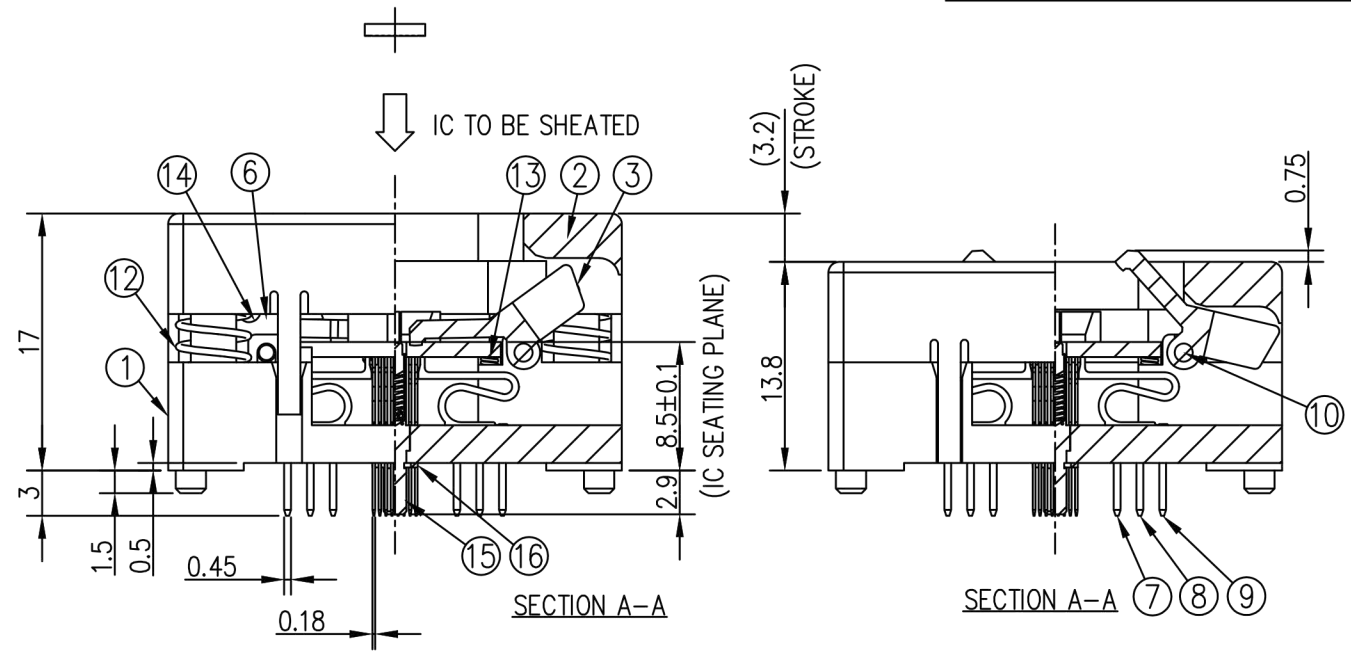


手机微信同号: 18824309157

FOOTPRINT AS VIEWED LOOKING DOWN FROM TOP OF SOCKET

RECOMMENDED IC (REF.)

P.NO	PART DESCRIPTION	MATERIAL	QTY	NOTE
①	E-RING	SUS	1	
②	COVER	PES	1	COLOR : BLACK
③	PRESSURE PAD	PPS	2	COLOR : BLACK
④	IC GUIDE	PES	1	COLOR : BLACK
⑤	ACTIVE IC GUIDE A	PES	1	COLOR : BLACK
⑥	ACTIVE IC GUIDE B	PES	1	COLOR : BLACK
⑦	CONTACT-(A)	Be Cu	12	PLATING : Au
⑧	CONTACT-(B)	Be Cu	12	PLATING : Au
⑨	CONTACT-(C)	Be Cu	8	PLATING : Au
⑩	SHAFT A	SUS	2	
⑪	SHAFT B	SUS	1	
⑫	COVER SPRING	SUS	4	
⑬	IC GUIDE SPRING	SUS	4	
⑭	ACTIVE GUIDE SPRING	SUS	1	
⑮	E-PAD UNIT	BeCu	1	PLATING : Au



CONFIDENTIAL/PROPRIETARY THIS DOCUMENT CONTAINS PROPRIETARY INFORMATION OF ANTARES-ATT. NOT TO BE USED, COPIED OR DISCLOSED WITHOUT PERMISSION. ALL RIGHTS RESERVED	GENERAL TOLERANCES		
	±0.3		
	UNIT	SCALE	ANGLE
	mm	2X	3rd.
	DRAWN	8 / 13 / '08	
ENGINEER	8 / 13 / '08		
CHECKED	8 / 13 / '08		
APPROVED	8 / 13 / '08		

PART NAME		790 QFN SOCKET 0.4mmPITCH 32PIN(PKG SIZE 4x4)	
PART NUMBER		790-62032-101T	REV 0
DWG NUMBER		790MSA050	SHEET 1/1