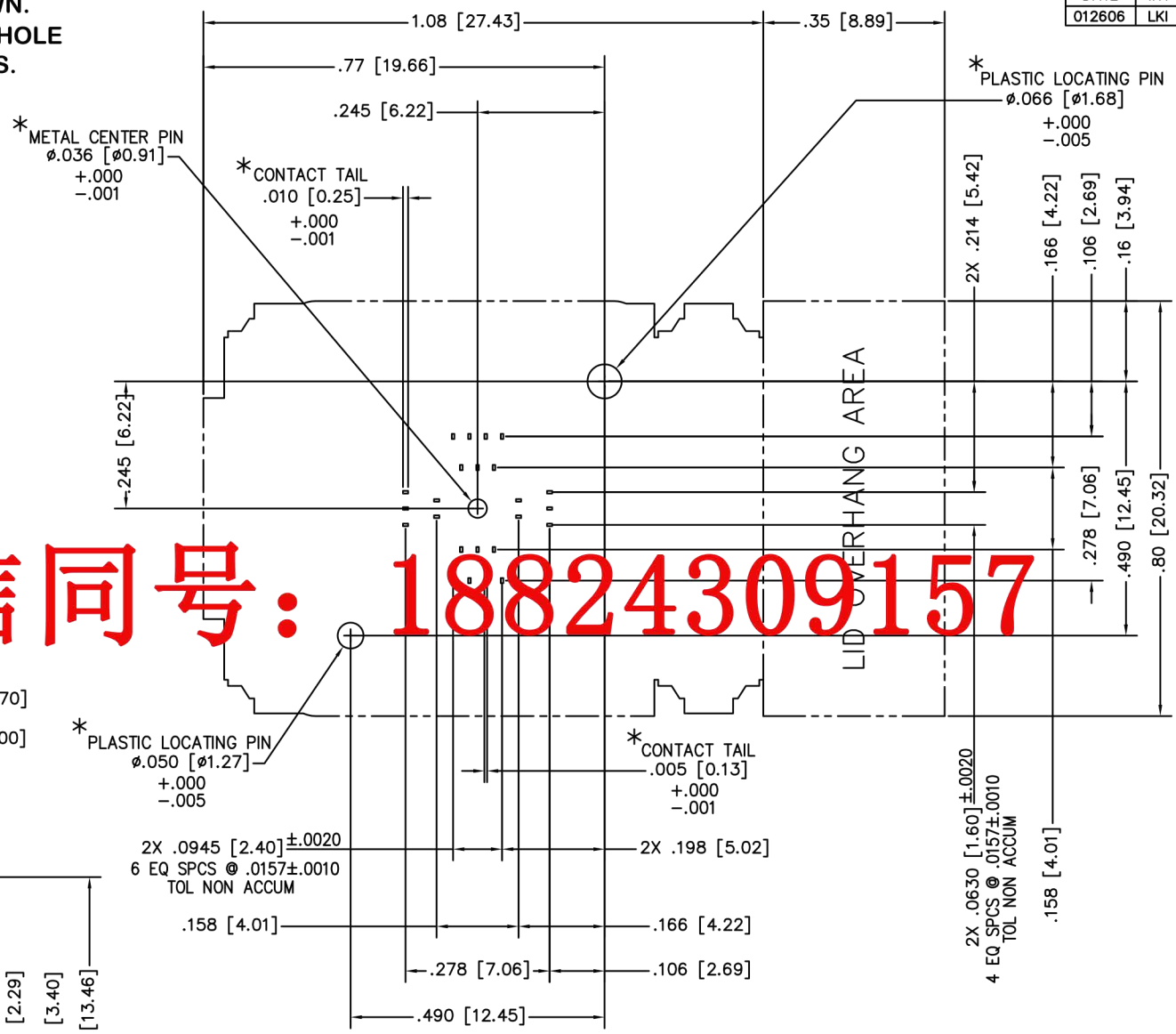
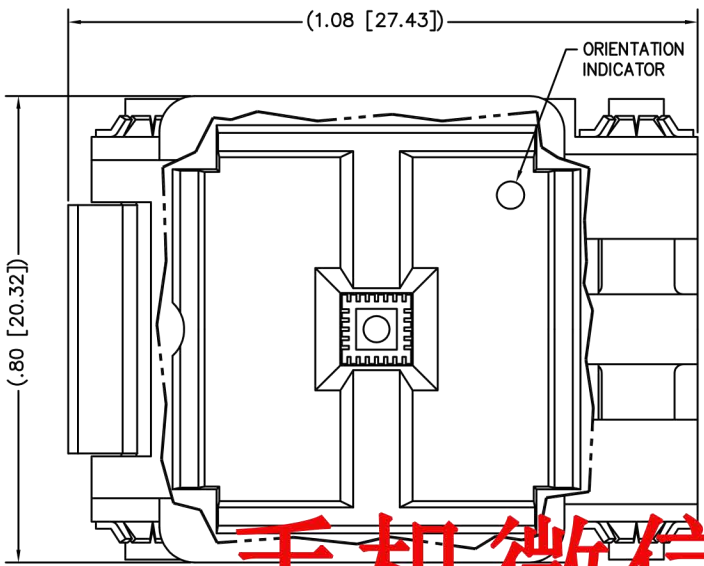
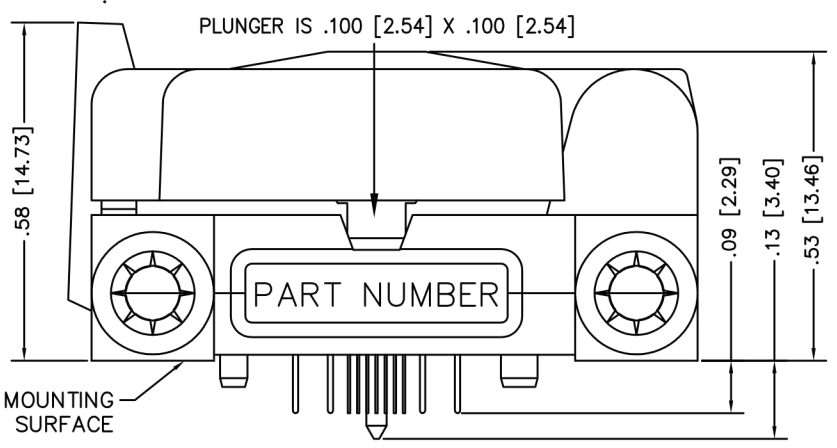
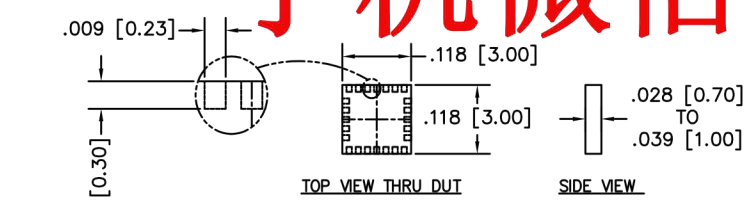


NOTE: * DIMENSIONS OF SOCKET FEATURES SHOWN.
 BOARD DESIGNER SHOULD SELECT APPROPRIATE HOLE
 SIZES TO PROVIDE A SLIP FIT FOR THESE FEATURES.



手机微信同号: 18824309157



FOOTPRINT AS VIEWED FROM TOP OF SOCKET

PROPRIETARY

PART NUMBER
24QN40T13030

THIS DRAWING IS SUBJECT TO CHANGE WITHOUT NOTICE. PLEASE REQUEST A CURRENT DRAWING WHEN LAYING OUT BOARDS.

FEATURES—T
 = STANDARD FOR
 0.30mm LONG NOMINAL PAD

UNLESS OTHERWISE SPECIFIED
 .XXX = ±.003 SURFACE FINISH
 .XX = ±.010
 .X = ±.020
 ANGLE = ±1
 ALL DIM ARE IN INCHES
 ALL DIM (XX) ARE MILLIMETERS
 REMOVE ALL BURRS AND SHARP EDGES
 HOLE TOLERANCES
 .0135 THRU .125 = +.004 -.001
 .128 THRU .250 = +.005 -.001
 .251 THRU .500 = +.008 -.001
 .501 THRU .750 = +.008 -.001
 .751 THRU 1.00 = +.010 -.001
 1.001 THRU 2.00 = +.012 -.001

SCALE	NONE	DATE	
DWN	LKI	110204	
CHK			
ENGR			
APPVD			

SIZE	C	DWG NO.	24QN40T13030	SH	1/1
TITLE	QFN SOCKET; 3 x 3mm, 0.40mm-PITCH; 24 CONTACTS PLUS CENTER PIN; THRU-HOLE				
2601 TEXAS DRIVE IRVING, TX. 75062					