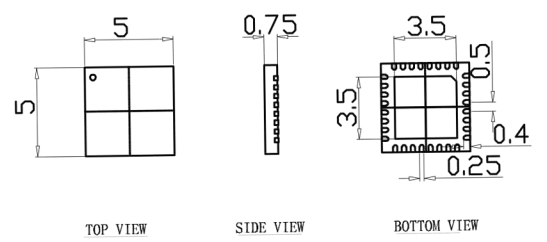
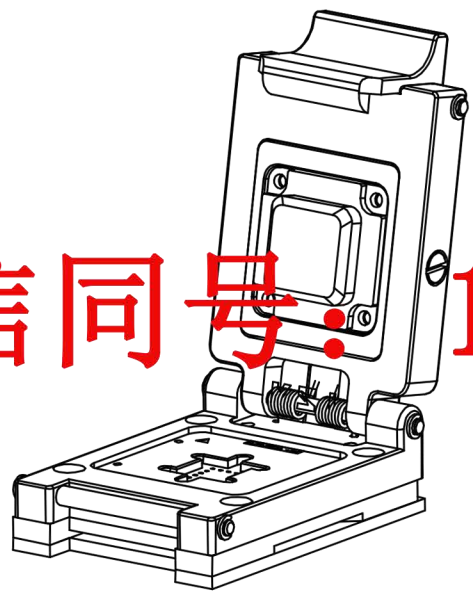
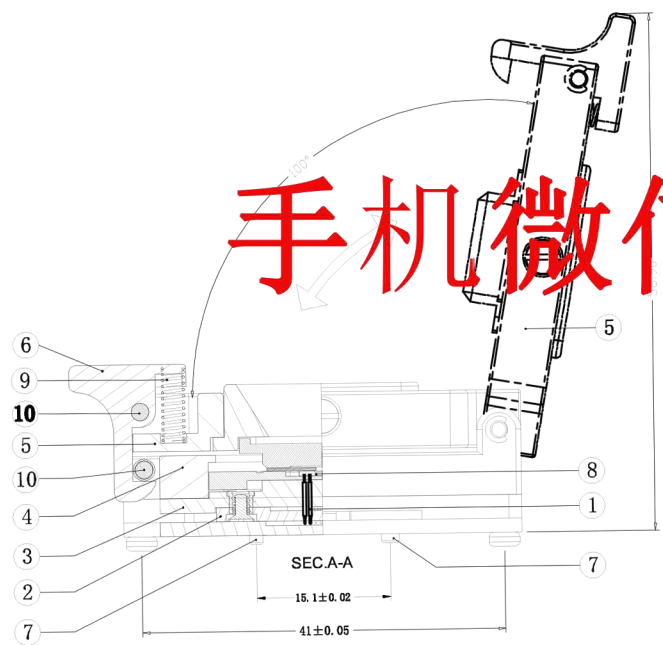
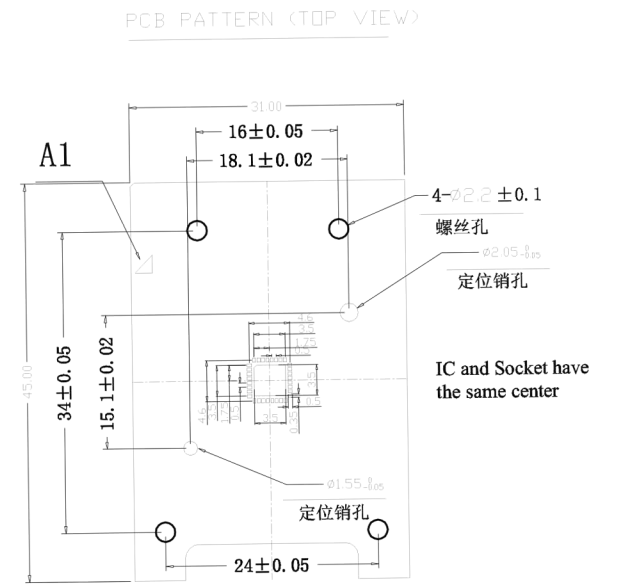
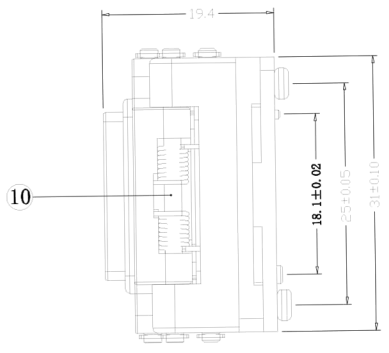
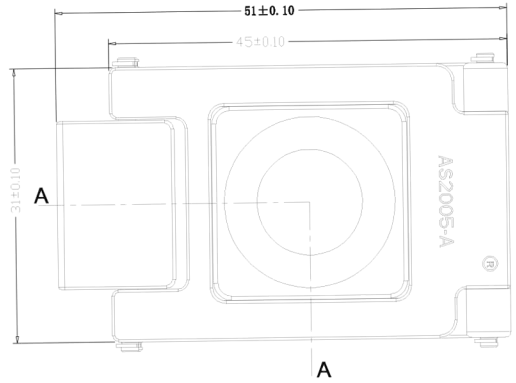


REVISION	DESCRIPTION	CHECK	APP	DATE	REV. NOTICE NO
△1					
△2					
△3					



手机微信同号: 18824309157

No	Part Number	Name	Material	Q/ty	Note
10	10-B-4525	SHAFT	SUS	3	
9	A0001-03	Spring	SUS	1	
8	101209-03	IC		1	
7	10-B-4524	Dowel pin	SUS	2	
6	A0001-03	Operating Fastener	AL6061	1	
5	A0001-02	OUTER LID	AL6061	1	
4	A0001-01	BASE	AL6061	1	
3	101209-02	TOP PLATE	PAI	1	
2	101209-01	BOTTOM PLATE	PAI	1	
1	05-A-2011	PGOG PIN	BeCu	32	

PROJECTION		GENERAL TOLERANCES	+0.10	TITLE	QFN32 CLAMSHELL SOCKET
DIMENSION:	mm	R E V	A	CLASS	CLAMSHELL SOCKET
APP:	0917428	SCALE:	1:1	DRW. NO	QFN32-0.50-AS01PGH
DECK:	ENG08-ZYF	DATE:	20201023		

注: 本图档只属产品示意图, 交货时请以实物为准。