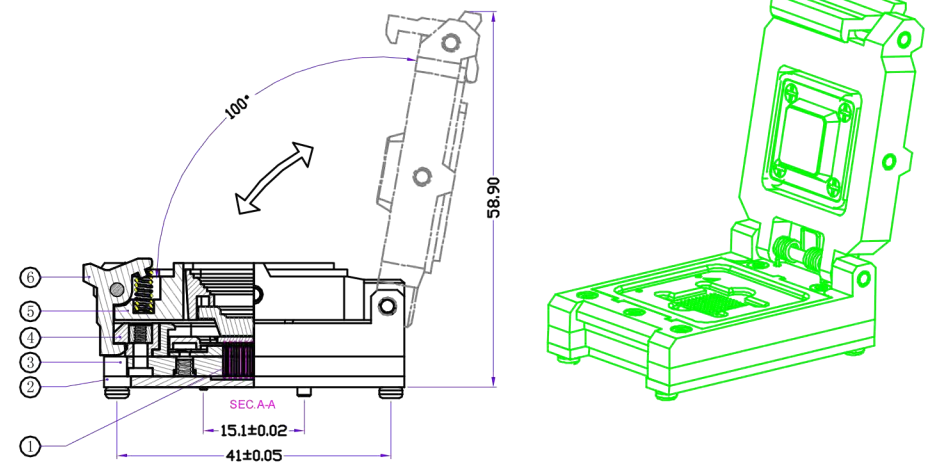
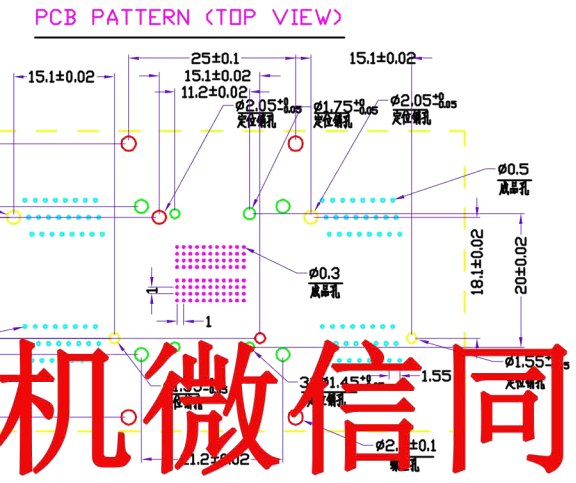
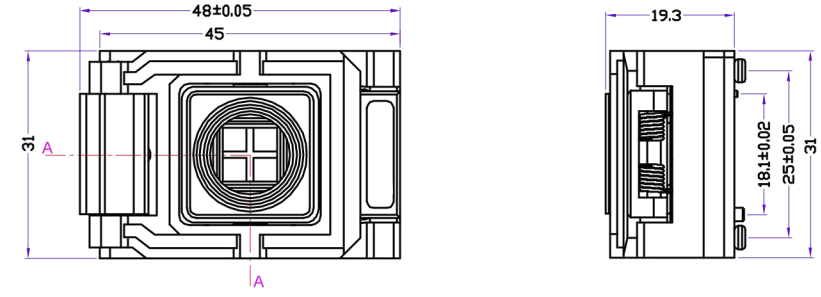
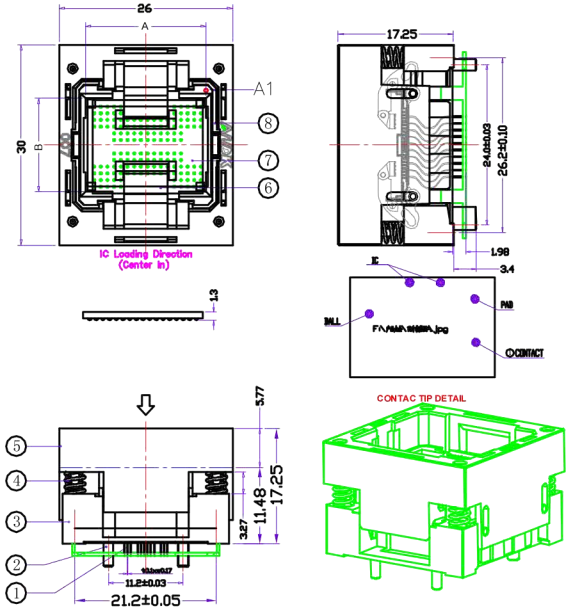


REVISION	DESCRIPTION	CHECK APP	DATE	REV.NOTICE.NO
△1				
△2				
△3				



手机微信同号: 18824309157

No	Part Number	Name	Material	Q/ty	Note
8	310-048-D105D	IC GUIDE	PEI/PES	2	BLACK
7	310-048-C105D	SLIDER	PEI/PES	1	BLACK
6	310-048-C105D	IC HOLDER	PEI/PES	2	BLACK
5	310-048-B105D	COVER	PEI/PES	1	BLACK
4	20-B-4505B	SPRING	SUS	4	FOR COVER
3	310-048-A105D	BASE	PEI/PES	1	BLACK
2	310-048-F105D	LOCATOR	PEI/PES	3	BLACK
1	04-A-1705	CONTACT	BeCu	88	Au PLATING

No	Part Number	Name	Material	Q/ty	Note
8	02-B-0505	LENS	PES	1	BLACK
7	10-B-4524	SHAFT	C2700V-1/2H	1	BLACK
6	P0001-04	LATCH	Nylon	1	BLACK
5	P0001-02	OUTER LID	Nylon	1	BLACK
4	P0001-01	BASE	Nylon	1	BLACK
3	101209-02	TOP PLATE	FR4	1	--
2	101209-01	BOTTOM PLATE	FR4	1	--
1	05-A-2011	POGO PIN	BeCu	88	Au PLATING

PROJECTION	GENERAL TOLERANCES	±0.10	TITLE	BGA152转DIP96	CLAMSHELL SOCKET
	R E V	A	CLASS	CLAMSHELL SOCKET	
DIMENSION:	mm	SCALE:	1:1	DRW. NO	BGA0152-0100-PT01ENL
APP:	DATE:	CHECK:	DATE:	DEGK:	ENG03
			DATE:		20141218